

Intelligent Thermal Camera

iThermal

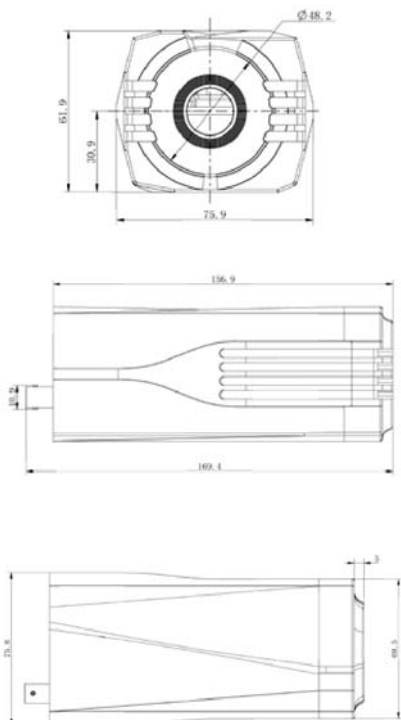
TS-TH300i/TH600i



Product Features

- Non-contact real time online temperature measurement and analyzing, support back-end temperature image analysis.
- Front-end built in video analysis algorithm, include pedestrians identify, invade alarm, motion detection, object tracking.
- Dual-stream and raw data output both, better for more application.
- IDE algorithm, innovation target enhancement technology.
- Built in memory function for picture snap and video recording (Optional).

Product Size



Technical Specification

Items/Technical Specification	TS-TH300i	TS-TH600i
Detector characteristic		
Detector	Uncooled amorphous silicon FPA	
Array format / Pixel pitch	384x288/17μm	640x480/17μm
Sensitivity	≤60mk@ 300K	≤60mk@ 300K
Frame rate	50Hz	50Hz
Spectral range	8~14μm	8~14μm
Optical property characteristic		
Focal length and FOV	15mm: 25° × 19°	24.5mm: 25° × 19°
F	1.0/1.2	1.0/1.2
Focus	Manual /Auto	Manual /Auto
Image processing		
Image adjustment	Manual /Auto adjust contrast, brightness	
Noise reduction	3D Digital filter	
Image effect gain	IDE,HDR	
Image output definition	720*576	640*480
Pseudo color	9 Pseudo color palettes changeable	
Temperature measurement		
Temperature range	-20°C~+150°C/100°C~1000°C	-20°C~+150°C/100°C~1000°C
Temperature measurement precision	±2°C or ±2%	±2°C or ±2%
Temperature measurement method	Support global, point, line, box, ellipse temperature measurement method	
Temperature measurement revise	Environment measurement / Radiance revise/ Distance/Humidity	
Intelligent Analysis		
High temperature alarm	Full side or user-defined range to high temperature alarm	
Motion detection*	Line crossing detection, Intrusion detection, Enter/Exit region, Loitering detection, Fast moving, Crowd gathering	
Anomaly detection*	Scene change, suppositional focus.	
Target recognition*	People / car/ boat recognition and counting	
Statistic analysis*	Movement path, passenger flow	
Smart Tracing*	People/ car/ boat tracing through PTZ platform	
Network protocol		
Video processing	H.264 compression, support dual stream 32kpbs-12Mbps adjustable, support frame rate 1-30f/s adjustable, support dual stream, support AVI video file	
Audio compression	G.722.1, G.711-a law, G.711-u law, MP2L2, G.726, AAC, PCM	
Network protocol	TCP/IP, HTTP, HTTPS, DHCP, RTP, RTSP, ONVIF, GB28181	
General function	heart beat function, password protection, multi-access control	
Raw image	Support raw image network transport	
Video browsing and configuring	Support IE, PC client and APP	
Interface		
Input power	DC12/24VDC(9.6~32VDC); AC18~30VAC(47~63Hz);	
internet access	10M/100MBase-TX self-adaption Ethernet port electricity	
WiFi*	Optional Wifi, support 802.11 b/g/n	
Serial port	Dual ports, both support RS232/485/422 three in one, support Pelco, ZS-SP	
Alarm I/O	Support dual alarm signal input, one alarm signal output	
Audio port*	One audio signal input, one audio signal output(3.5mm)	
Local storage*	Micro-SD(TF), support up to 128GB	
Analog video output	Female BNC	
Physical Specifications		
Working temperature & humidity range	-20°C~+50°C (optional -40°C~75°C), < 90%RH	
Storage temperature	-40°C ~ +70°C	
Encapsulation	IP40 (optional IP66)	
Shock	2g (IEC 60068-2-6)	
Power consumption	<5W (Room temperature)	
Tripod	UNC 1/4" -20	
Lightning protection	GB/T17626.5, IEC61000-4-5	
Safety certification	CE(EN 55022 Class A), FCC Part 15 Subpart B Class A;	
Dimension	170mm × 62mm × 76 mm (plus 50mm lens)	
Weight	<800g	

Remark: Items with asterisk (*) are optional value added function and may be asked for extra fee, please consult before your choice.